

# Test Report

## for GPS L1/ GLONASS L1/BEIDOU1 AVIATION ANTENNA



Model: **HXAT0GGBAAV50A**

**Chengdu HAIXIN MICROWAVE Technology Co., Ltd**

Add: Chengdu 610091, China

Tel: +86-28-87089208

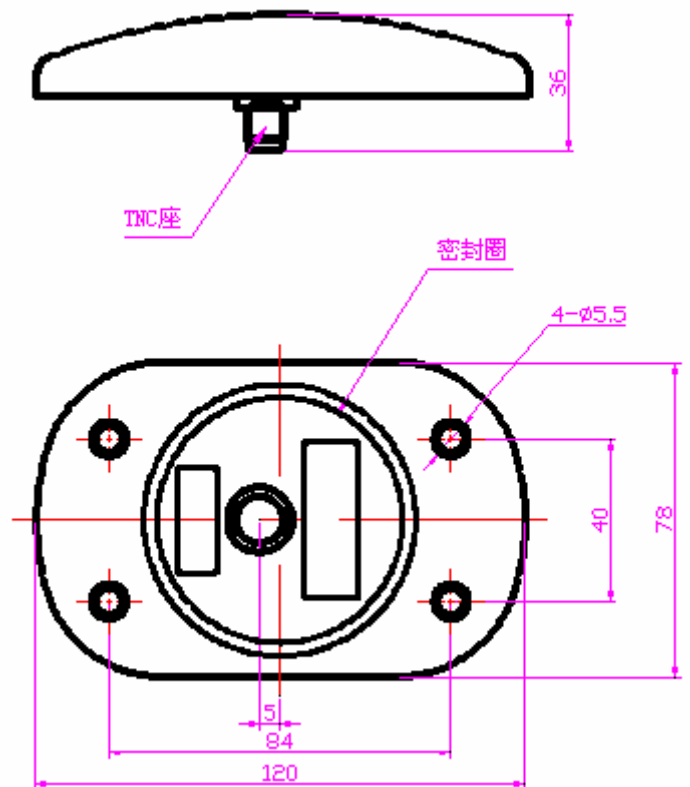
Website: [www.hxmicrowave.com](http://www.hxmicrowave.com)

Fax: +86-28-87089208

Email: [sale@hxmicrowave.com](mailto:sale@hxmicrowave.com)

## Specification

1. Frequency: GPS L1:1575.42MHz±5MHz  
GLONASS L1:1602 MHz±8MHz  
BD1:2491.75MHz±4MHz
2. Pattern:  
Azimuth: Omnidirectional  
Elevation: Hemispherical
3. LNA Gain: 47dB±2dB
4. Polarization: Right-hand circular
5. AR: ≤4dB
6. Noise: ≤2dB
7. Impedance : 50 Ω
8. VSWR : ≤2:1
9. Power requirements: Voltage: 5~12VDC  
Current: ≤50mA
10. Connector: TNC female
11. Operating Temperature : -40℃~+85℃
12. Store Temperature : -55℃~+85℃
13. Weight: ≈ 200 g
14. Size: 120mm×78mm×36mm



## Test Instruments

Agilent 83630B  
HP8563E  
HP8720D

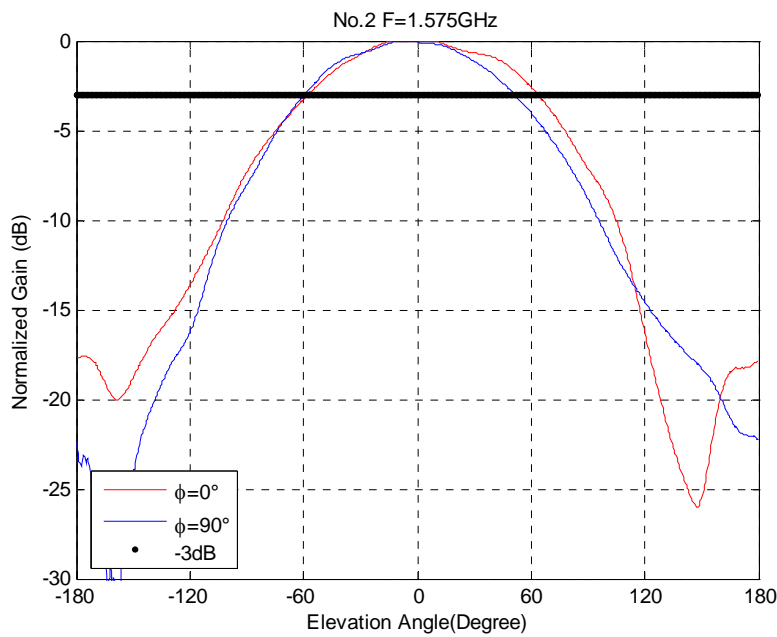
## Test Results

### 1. Gain

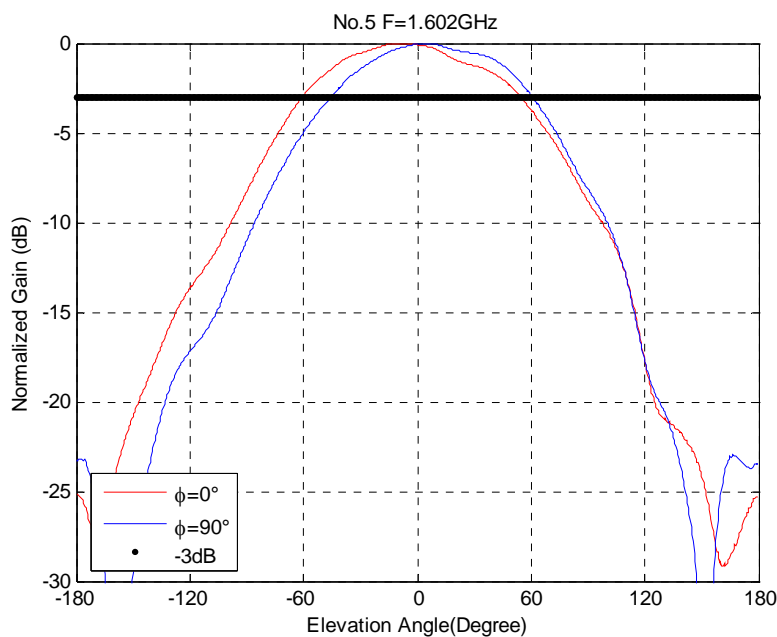
Frequency (GHz)	Gain (dBi)
1.575	50.2
2.492	50.6
1.602	50.1

### 2. Pattern

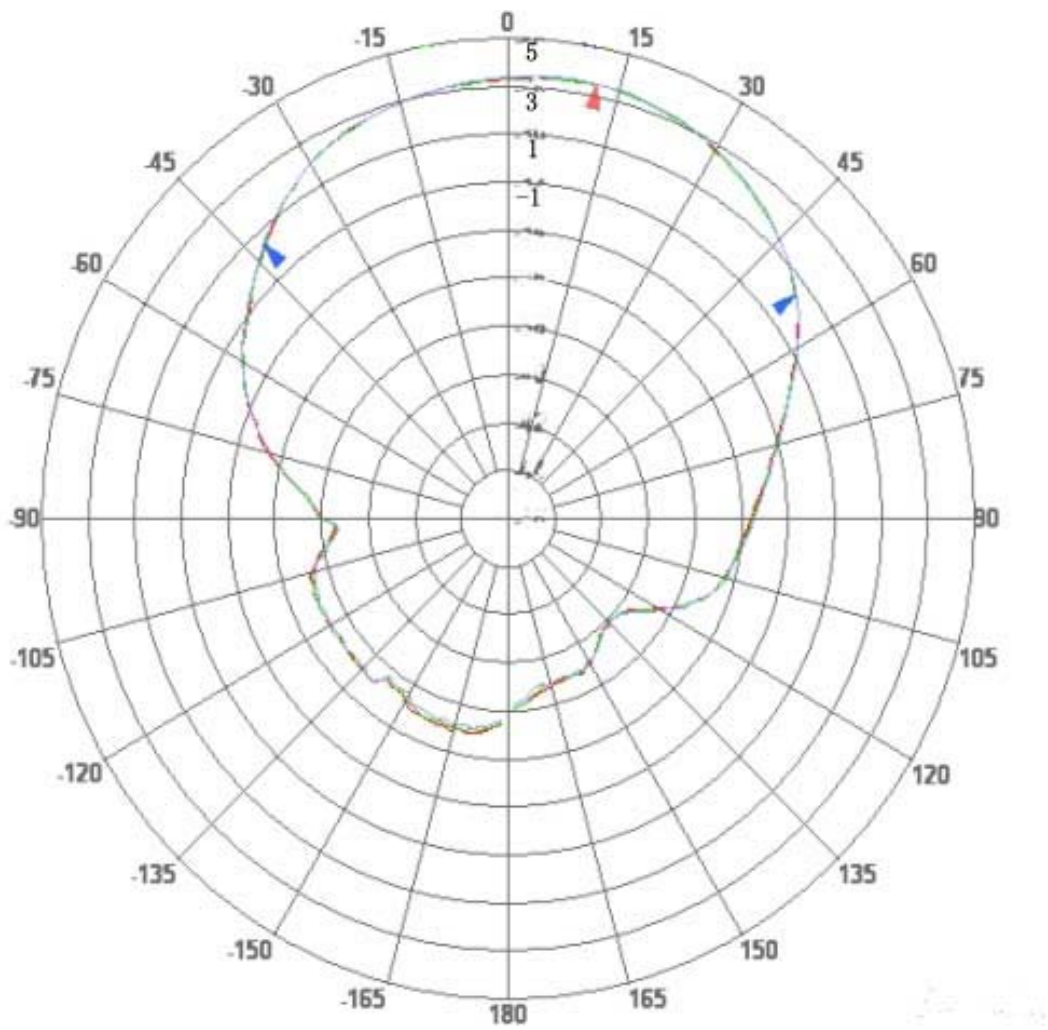
1575MHz



1602MHz



2492MHz



**Chengdu SIWI Electronic Co., Ltd**

Add: SIWI Electronic Building, Xiejiasi, Chengdu 610091, China

Tel: +86-28-81705119 87360620

Website: www.siwi.com.cn

Fax: +86-28-81707519

Email: market@siwi.com.cn